

QL-300

QUICK START GUIDE

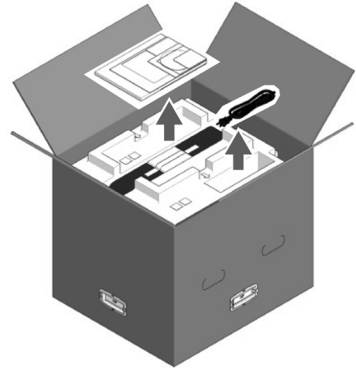
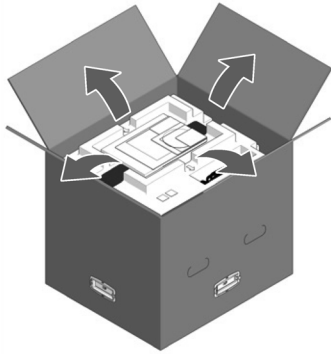


QL-300 Quick Start Guide

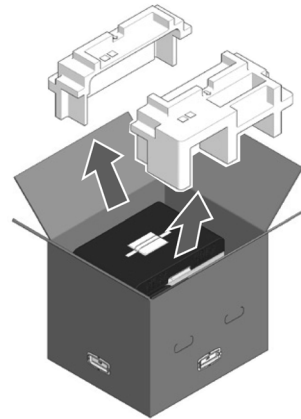
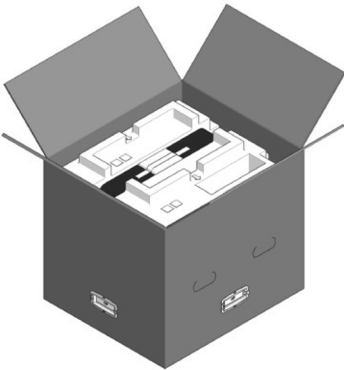
Use the instructions in this guide to quickly set up your new QL-300 printer. For detailed information about printer operation, please refer to the QL-300 User Guide. You can download the QL-300 User Guide from www.quicklabel.com/support/user-guides.

Unpacking the Printer

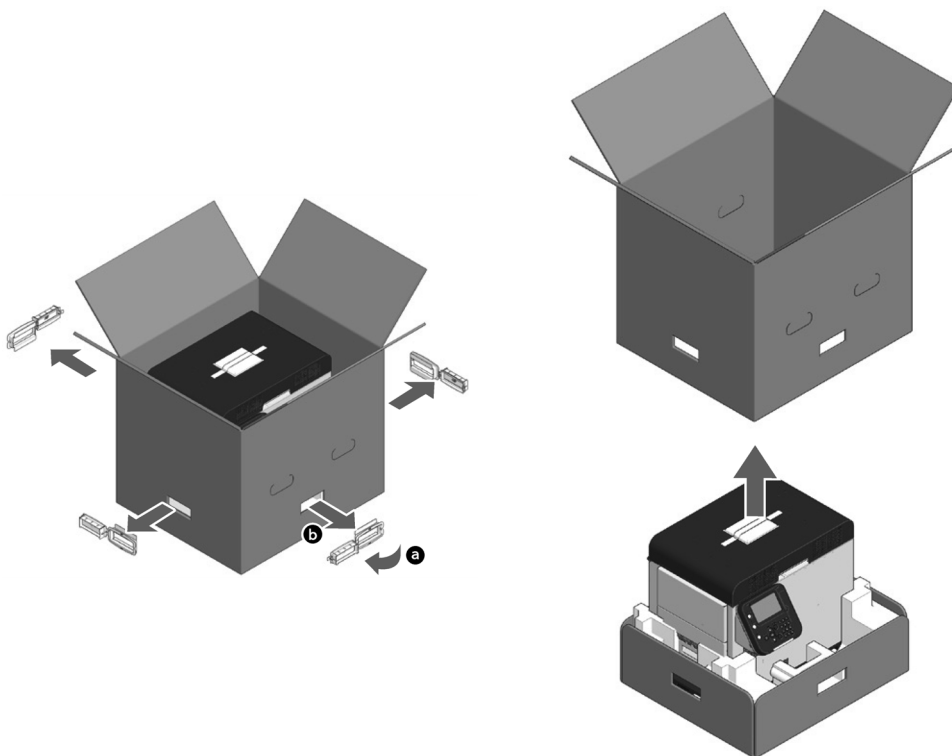
1. Open the top of the packing box and remove the machine's accessories.



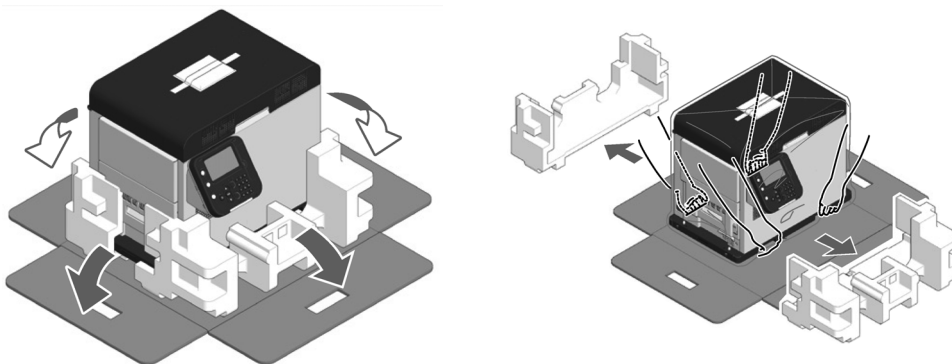
2. Remove the top layer of packing materials.



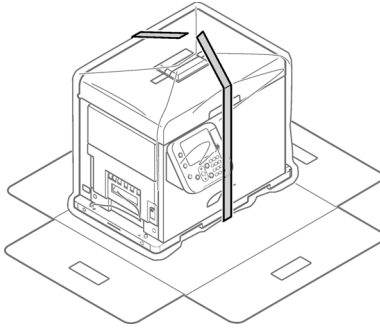
3. Remove the handles (4 pieces), and then remove the top of the packing box.



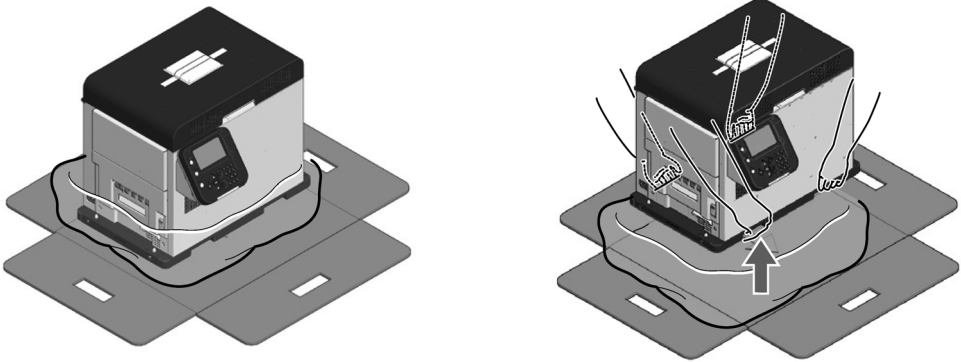
4. Open out the bottom part of the box, place your hands on the printer's handles (2 in front/2 in back) and support the printer as you remove the front and back packing materials on the bottom.



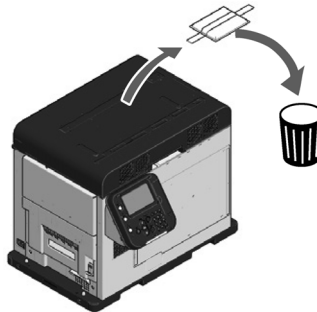
5. Cut and remove the bands that secure the printer.



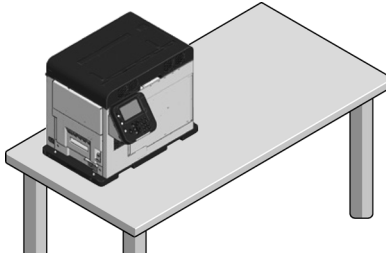
6. Remove the plastic bag.



7. Remove the desiccant.



- Place the printer in the installation space that you have confirmed in advance.



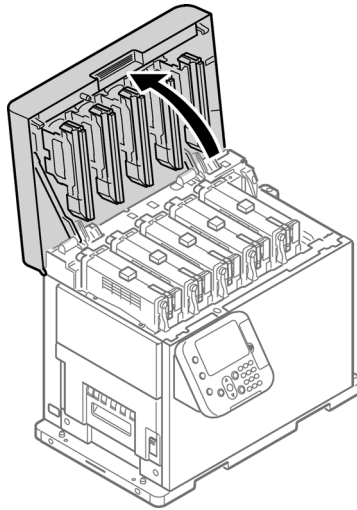
The printer is heavy and moving it requires two people. Hold the handles on the equipment when lifting it.

Do not hold the control panel while lifting. There is a risk of injury if you hold the control panel, because the control panel may come off and you could drop the equipment.

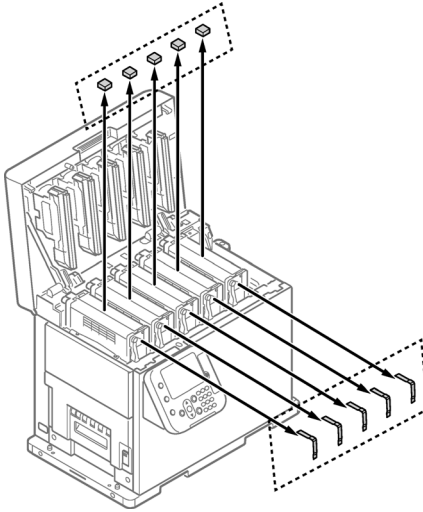
Allow enough space to work when installing the unwinder.

The weight of the equipment, including wear items, is about 95 lbs (43 kg). Install it on a stand that is strong enough.

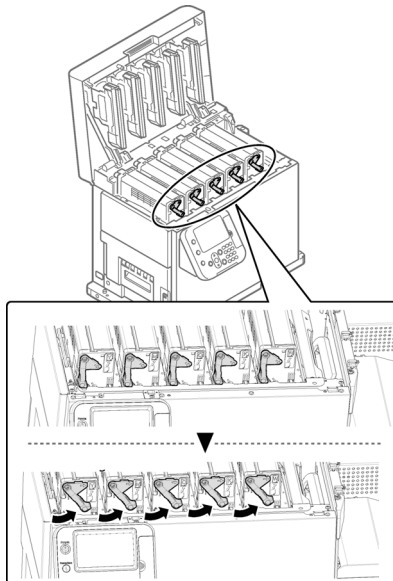
- Grasp the top cover open lever and open the top cover.



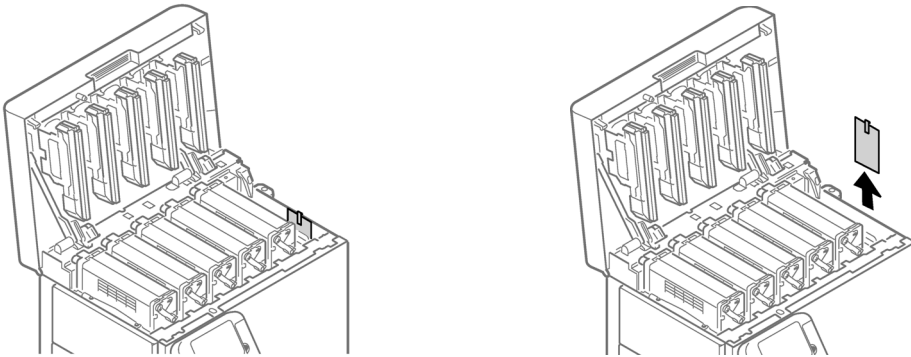
10. Remove the Pad-TC from the top of the print cartridge, and then remove the tape that is securing the lift up lever.



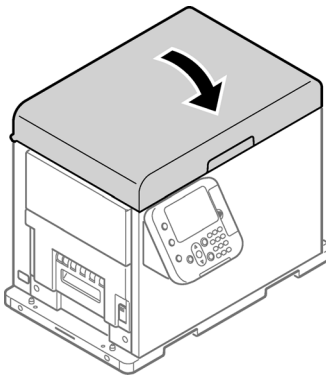
11. The print cartridges lift up, so turn the lift up lever to lower the print cartridges.



12. Pull out the sheet-protection.



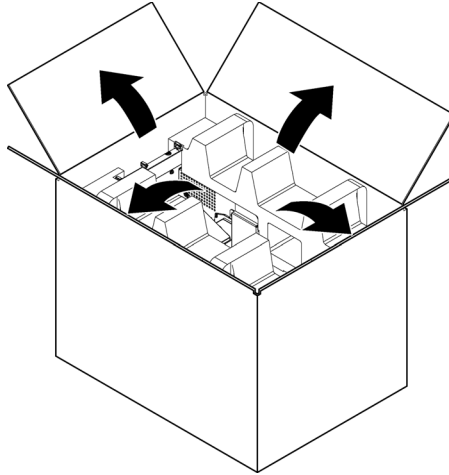
13. Close the top cover.



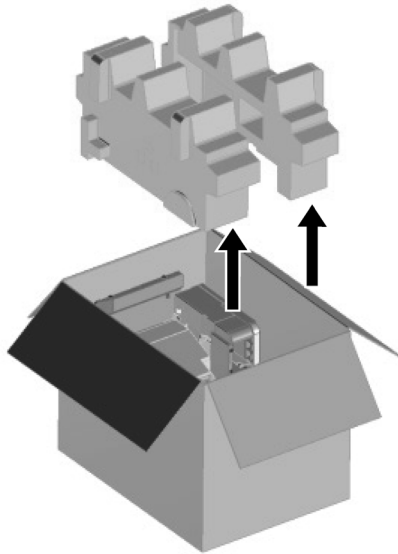
When closing the top cover, there is a risk of pinching your fingers or hands in the top cover or the top cover's support. Press on the top of the top cover to close it. There is a risk of pinching your fingers or hands if you hold the LED head while closing the top cover. Press on the top of the top cover to close it.

Unpacking the Unwinder

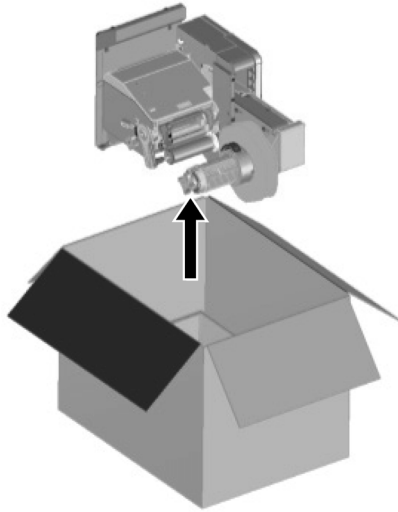
1. Open the top of the packing box.



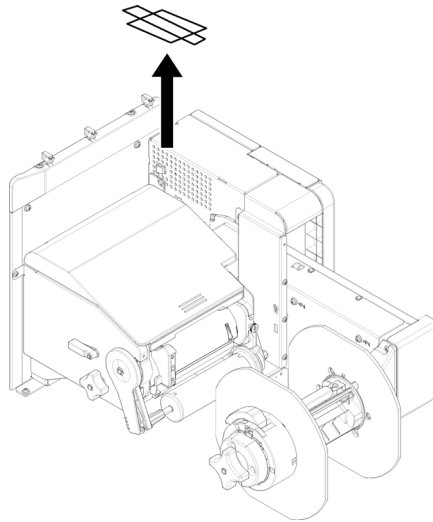
2. Remove the top layer of packing materials.



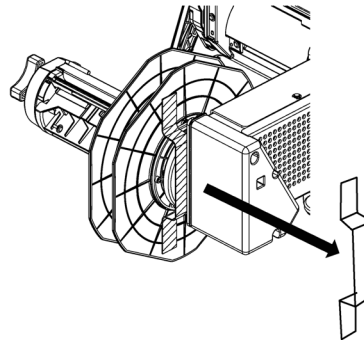
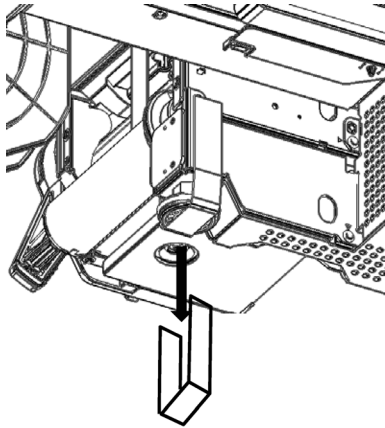
3. Remove the unwinder.



4. Remove the plastic bag from the unwinder, and then remove the accessories.

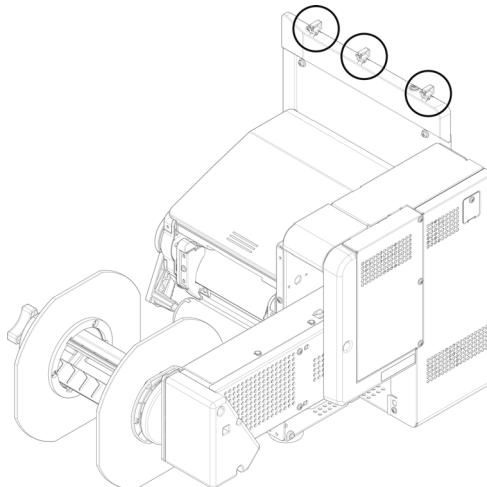


5. Peel off the tape from two locations.



Installing Cable Clamps

1. Install cable clamps (x 3 pieces).



Installing the Unwinder on the Printer

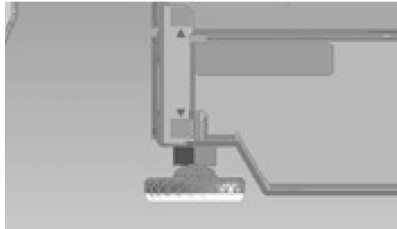
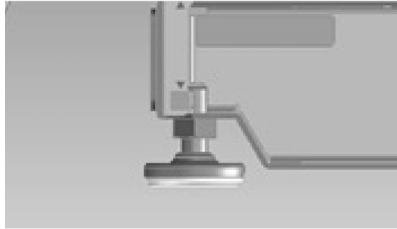
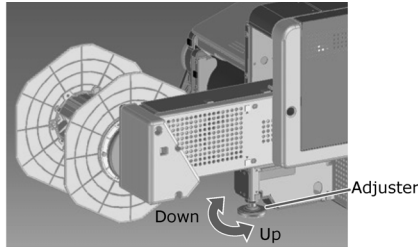


Be careful that you do not drop the unwinder.

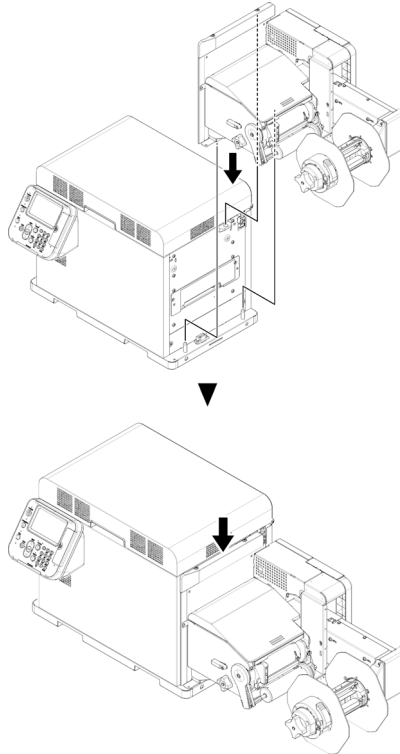
Be careful that you do not pinch your hands or fingers between the unwinder and the printer.

Securely tighten the three screws. If they are loose, there is a risk that the unwinder may fall off or the print quality may be degraded.

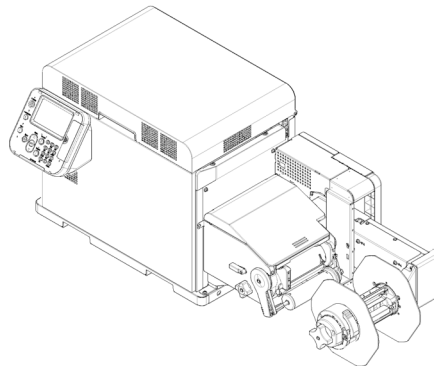
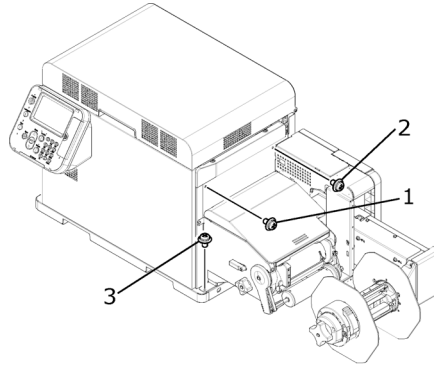
1. Check whether the adjuster on the unwinder is raised up. If the adjuster is not raised, before you mount it on the printer, rotate it to the up position.



2. Hold the unwinder close to the mounting pins and mounting hole, and then press it against the right side of the printer and lower it.



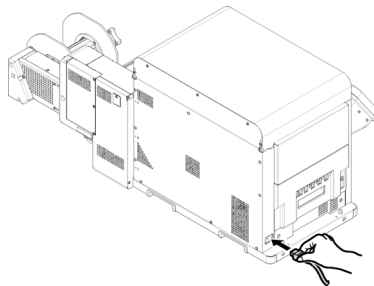
- Use three screws to secure the unwinder to the printer. Tighten the screws in order 1, 2, then 3, as shown in the following diagram.



- Extend the adjuster so it contacts the stand. Be careful not to extend the adjuster too far.

Connecting a Power Cord

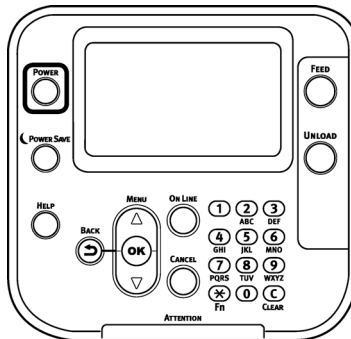
- Securely insert the power cord provided into the power connector on the machine.



- Plug the power plug into the power socket.

Turning on the Power

1. Press and hold the **POWER** button for approximately 1 second. When the power is turned on, the LED lamp on the **POWER** button turns on.



When the machine starts, the startup screen appears on the LCD on the control panel. After a short time, the idle display appears and printing is possible.

Loading Media

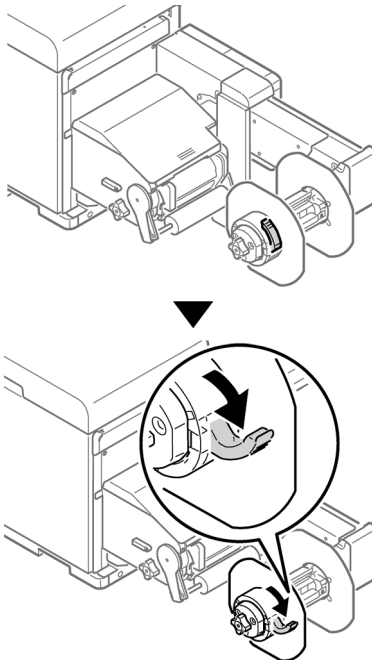


When setting roll paper, be careful not to drop it. As roll paper is heavy, when you drop it, there is a risk of injury.

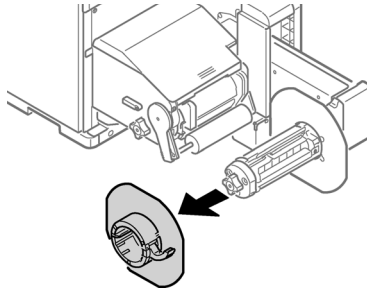
If you drop roll paper, it may roll on the floor and cause injury to the people around.

To prevent roll paper from dropping, store it horizontally on a desk, etc.

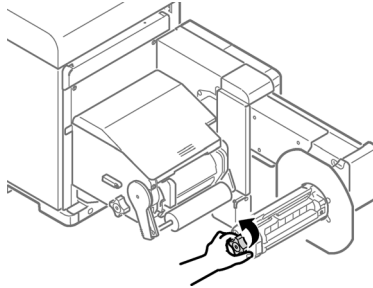
1. Open the Flange Locking Lever.



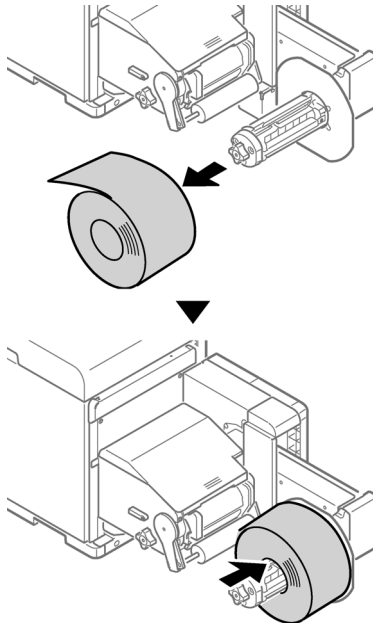
2. Remove the flange.



3. Rotate the Roll Paper Holder Knob to contract the Roll Paper Holder shaft.



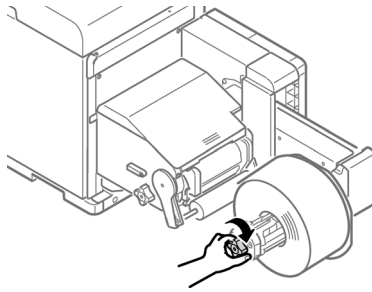
4. Slide roll paper onto the Roll Paper Holder shaft as far as it will go.



Note: Make sure to slide the roll paper as far as it will go. Insufficiently sliding the roll paper can adversely affect print position accuracy.

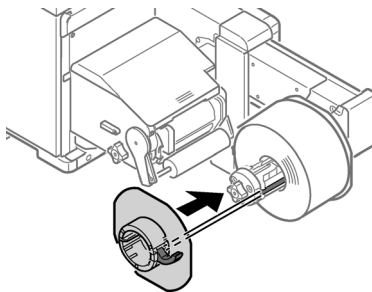
Note: Take care to avoid pinching your fingers or hands when sliding the roll paper.

5. Rotate the Roll Paper Holder Knob to fix the roll paper core in place.

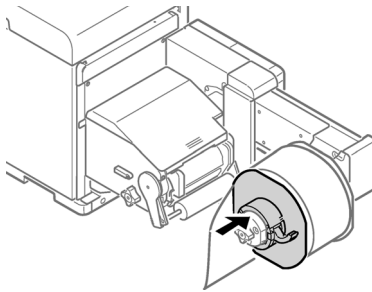


Rotate the Roll Paper Holder Knob until it clicks.

6. Aligning the Flange with the Roll Paper Holder shaft as shown in the illustration, attach the Flange.



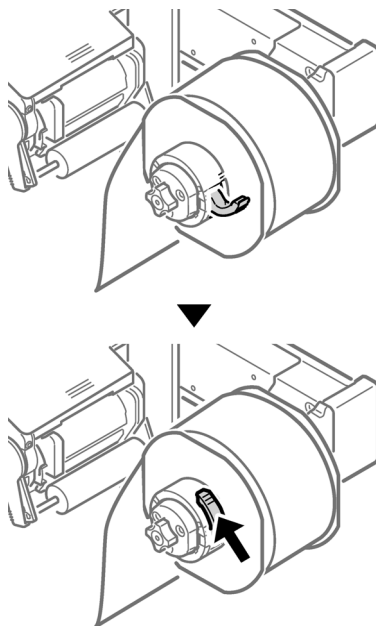
7. Slide the Flange as far as it will go in accordance with the roll paper width.



Note: Slide the Flange up to the side of the loaded roll paper.

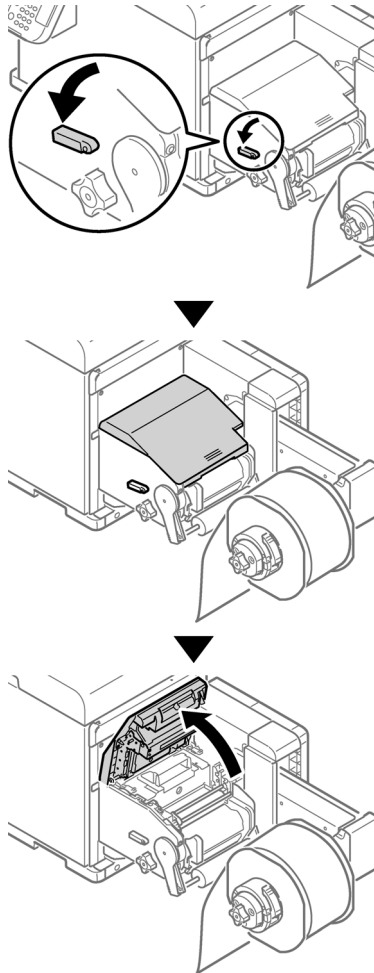
Note: Take care to avoid pinching your fingers or hands when attaching the Flange.

8. Close the Flange Locking Lever.



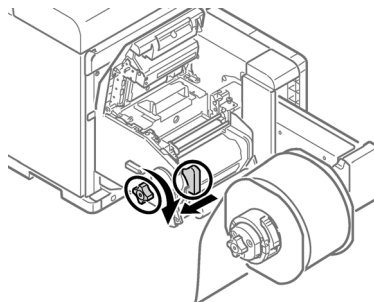
After loading roll paper, take care not to rest your body weight on the top of the Roll Paper Holder shaft. Doing so risks causing injury due to the device falling.

- Lower the Unwinder Cover Open Lever to open the Unwinder Cover. Open the Unwinder Cover manually in the direction indicated by the arrow until it locks.



Note: Open the Unwinder Cover until it locks securely.

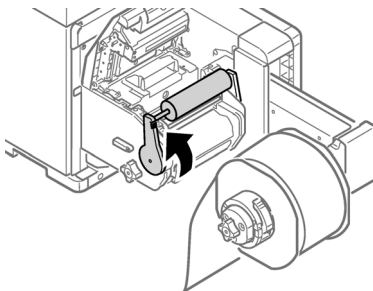
- Before loading the paper, rotate the Roll Paper Guide Adjustment Knob counterclockwise and move the Roll Paper Guide towards you.



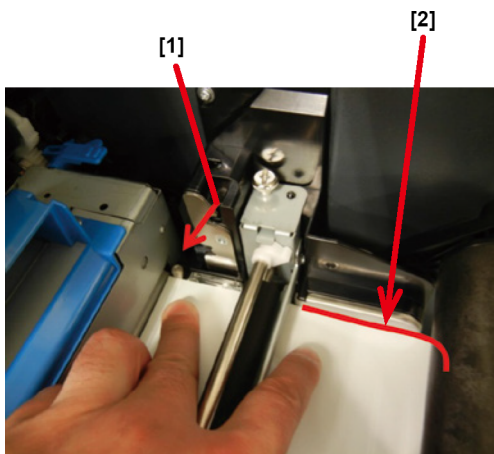
11. Pull up the F0 Roller Release Lever.



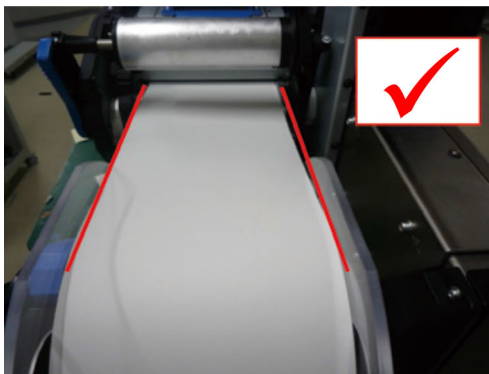
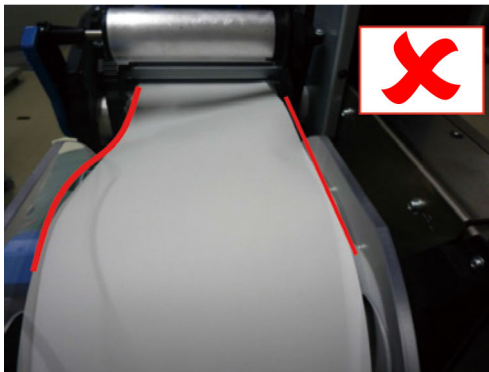
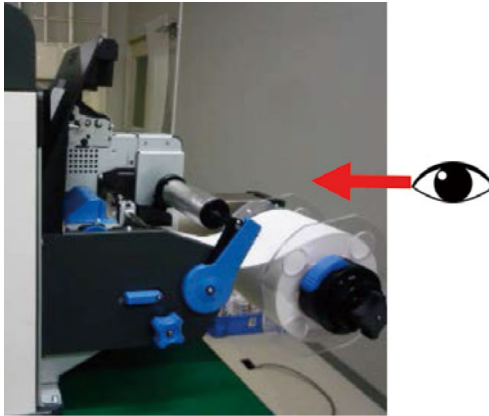
12. Press the Tension Bar Open Lever upwards until it clicks.



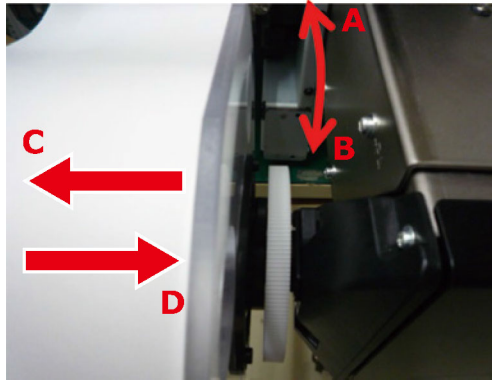
13. Pass paper below the Tension Bar and F0 Roller, and align the leading edge of the paper with the Roll Paper Guide [1] and Paper Guide [2].



14. Check the paper status from the direction indicated by the arrow.



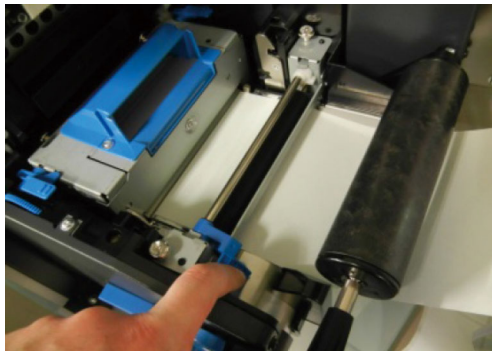
15. Rotate the Roll Paper Guide Adjustment Knob to adjust the paper until it is straight.



If you rotate the Roll Paper Guide Adjustment Knob in:

- Direction A - the roll paper moves in the direction C
- Direction B - the roll paper moves in the direction D

16. Lower the F0 Roller Release Lever to fix the roller in place.



17. Press down on the Tension Bar Open Lever until it clicks.

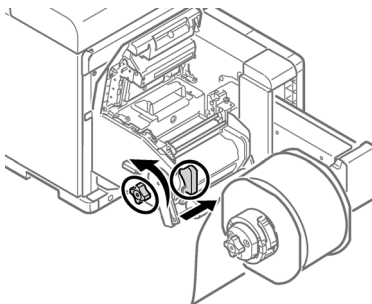


18. After loading the paper, rotate the Roll Paper Guide Adjustment Knob clockwise and align the Roll Paper Guide to the width of the paper.

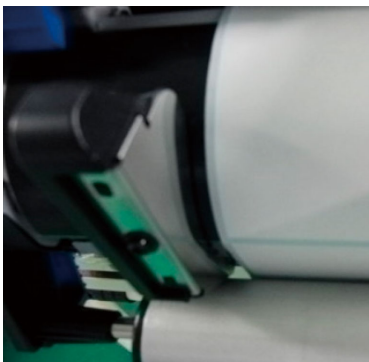
Note: Set the Paper Guide correctly. If the Paper Guide is not set correctly, the width of the paper cannot be detected correctly.

Note: Be careful that the Roll Paper Guide does not press too strongly on the paper. Doing so could damage the paper.

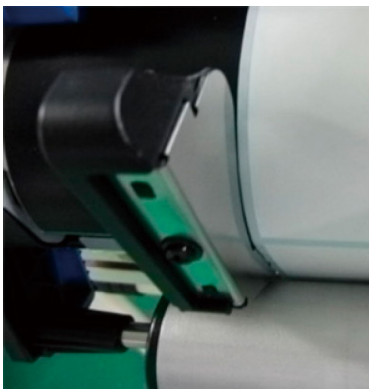
Note: Do not allow too much of a gap between the paper and the Roll Paper Guide. Doing so could allow the paper to twist and the print position to shift.



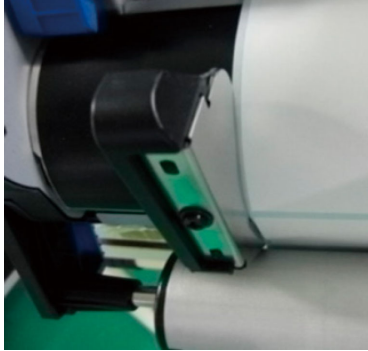
- In the following example, the gap is too large.



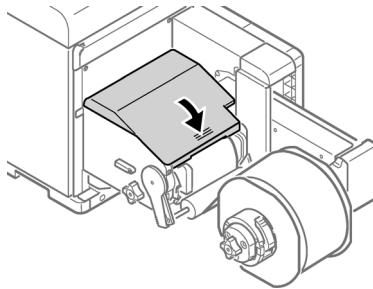
- In the following example, the Roll Paper Guide is aligned to the width of the paper.



- In the following example, the Paper Guide is too tight.



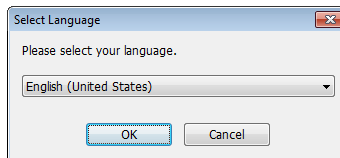
19. Close the Unwinder Cover.



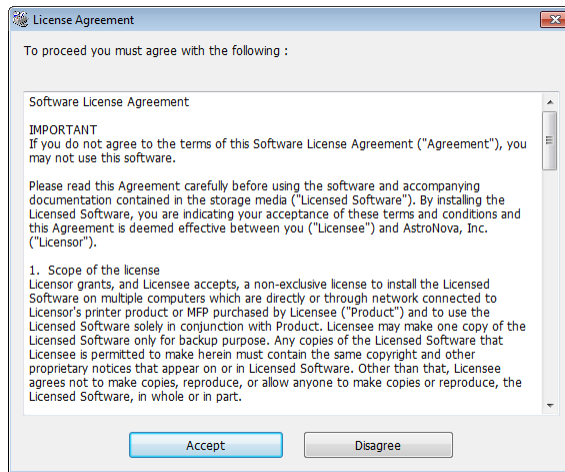
When closing the Unwinder Cover, there is a risk of pinching your fingers or hands. Press the top of the Unwinder Cover to close it.

Installing the Printer Driver (USB)

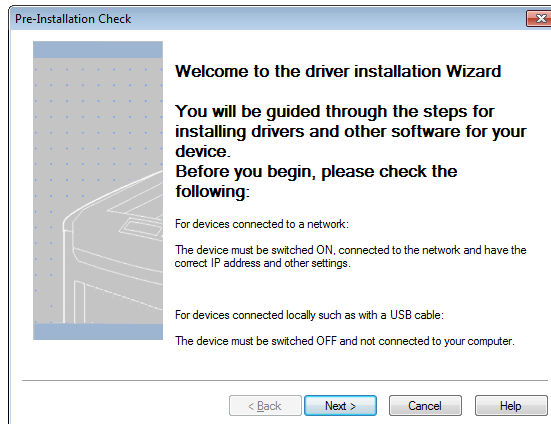
1. Ensure the QL-300 is powered off and **not** connected to your PC via the USB cable.
Note: Do not connect the USB cable until prompted later in this procedure.
2. Start the driver installation software. You can obtain the software from www.QuickLabel.com/downloads.
3. When the language selection window is displayed, select a language. Then click **OK**.



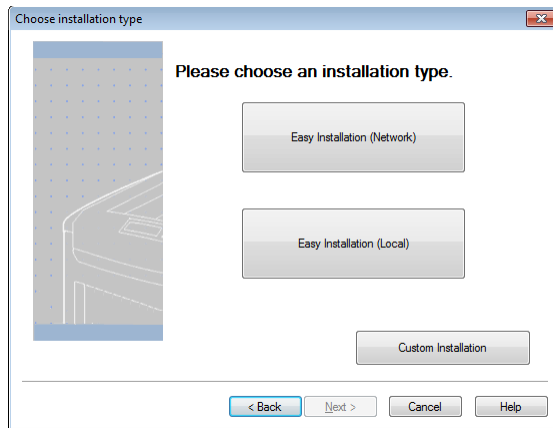
4. Read the Software License Agreement, and then click **Accept**.



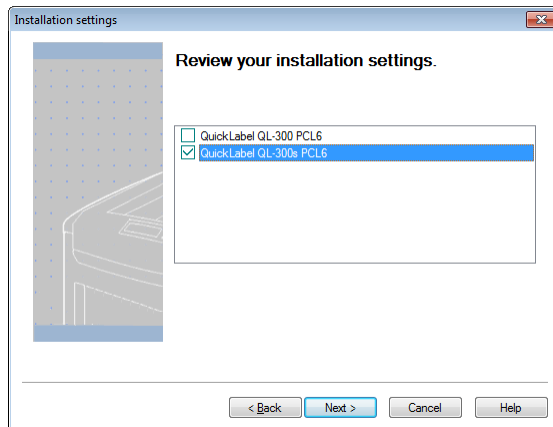
5. Verify the pre-installation check items, and then click **Next**.



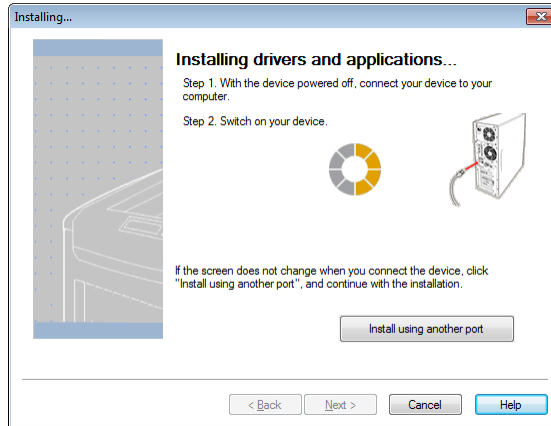
- Click **Easy Installation (Local)**.



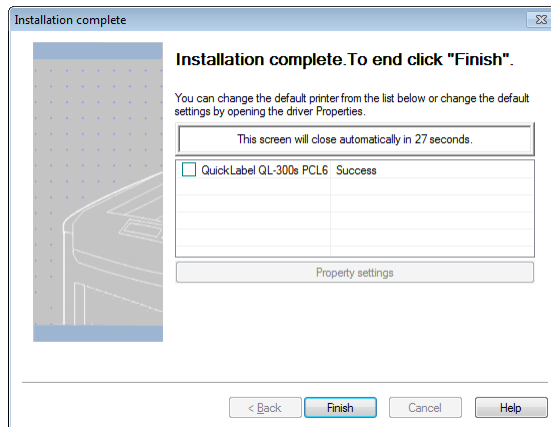
- Select the driver version that matches your printer model. For example, select QuickLabel QL-300s if you are using a QL-300s printer. Then click **Next**.



- When prompted, connect the QL-300 to your PC with a USB cable. Then power on the QL-300. The installation will continue.

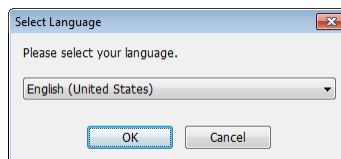


- The printer driver will be installed. After installation is complete, click **Finish**.

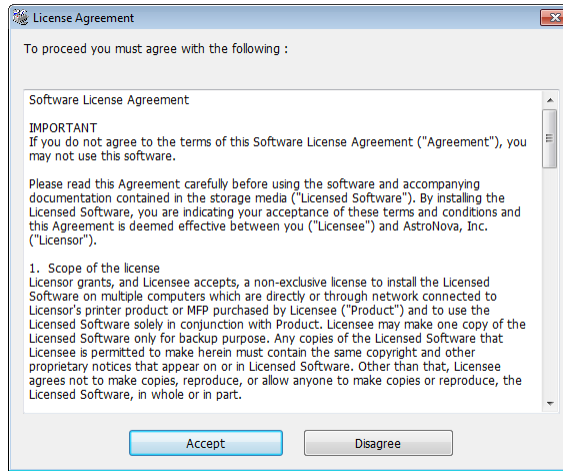


Installing the Printer Driver (Network)

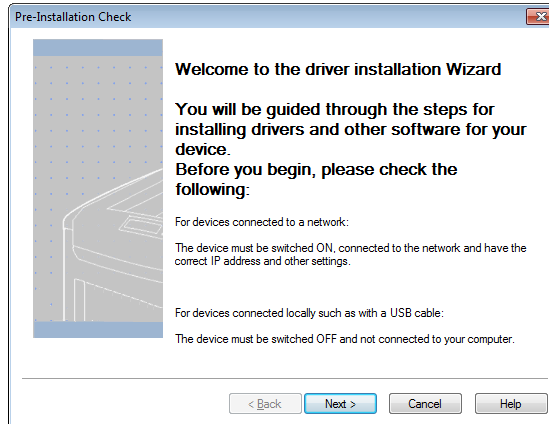
- Ensure the QL-300 is powered on and connected to the network via a LAN cable.
Note: For detailed information about networking, refer to the QL-300 User Guide.
- Start the driver installation software. You can obtain the software from www.QuickLabel.com/downloads.
- When the language selection window is displayed, select a language. Then click **OK**.



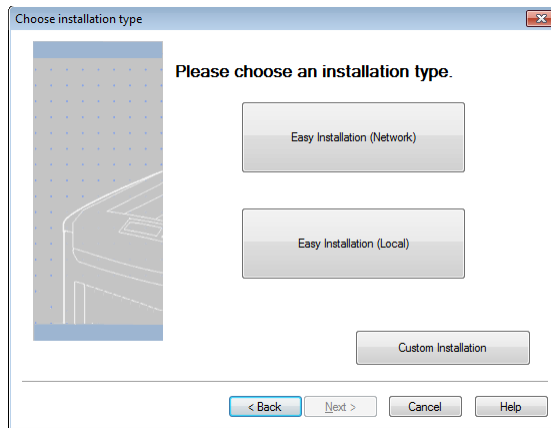
4. Read the Software License Agreement, and then click **Accept**.



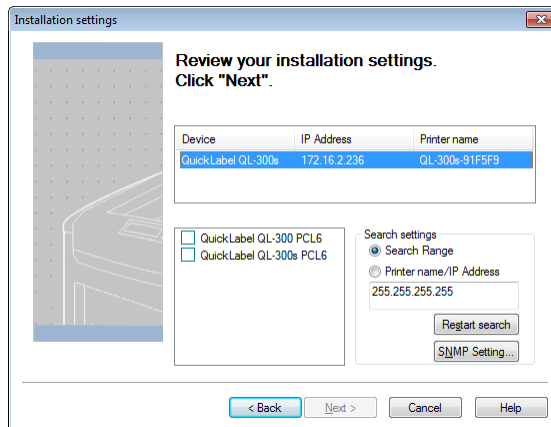
5. Verify the pre-installation check items, and then click **Next**.



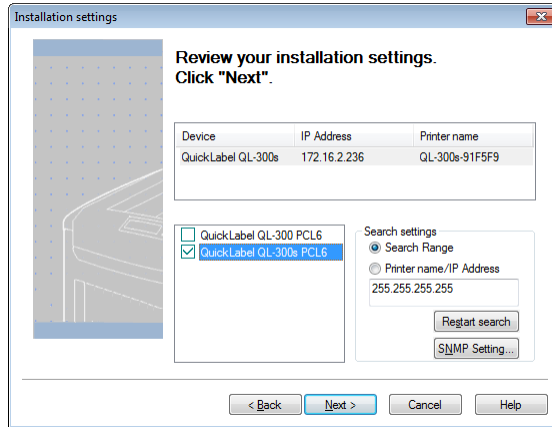
6. Click **Easy Installation (Network)**.



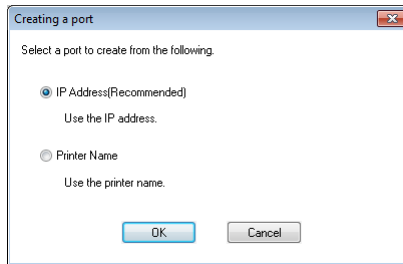
7. The driver searches for printers. After supported printers are detected, select the printer from the device list.



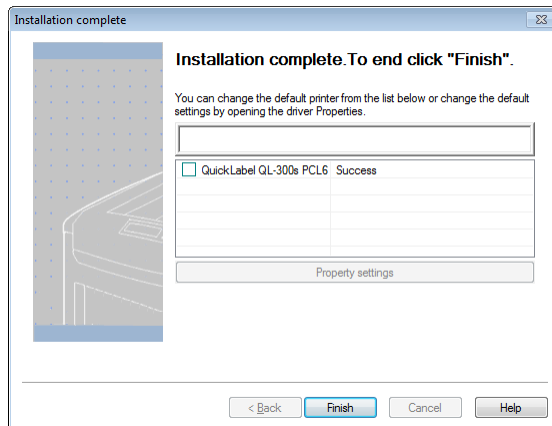
8. Select the driver version that matches your printer model. For example, select QuickLabel QL-300s if you are using a QL-300s printer. Then click **Next**.



9. When you are prompted to create a port, select **IP Address (Recommended)**. Then click **OK**.



10. The printer driver will be installed. After installation is complete, click **Finish**.



Next Steps

You have finished setting up the printer. Please refer to the QL-300 User Guide to set up the printer driver, configure printer settings, and begin printing labels.

Visit www.QuickLabel.com for video tutorials on setting up and using the QL-300 printer.

