

Label Printer (LT5C Label Printer) Residual Risk



1. Map of Residual Risks That Require Protective Measures by Machine Users and Machine Installers

Product name: Label Printer (LT5C Label Printer)
Be sure to carefully read and follow the instructions in this manual before installing the machine.

(This map of residual risks is a reference for the product's installation guide and other manuals.)

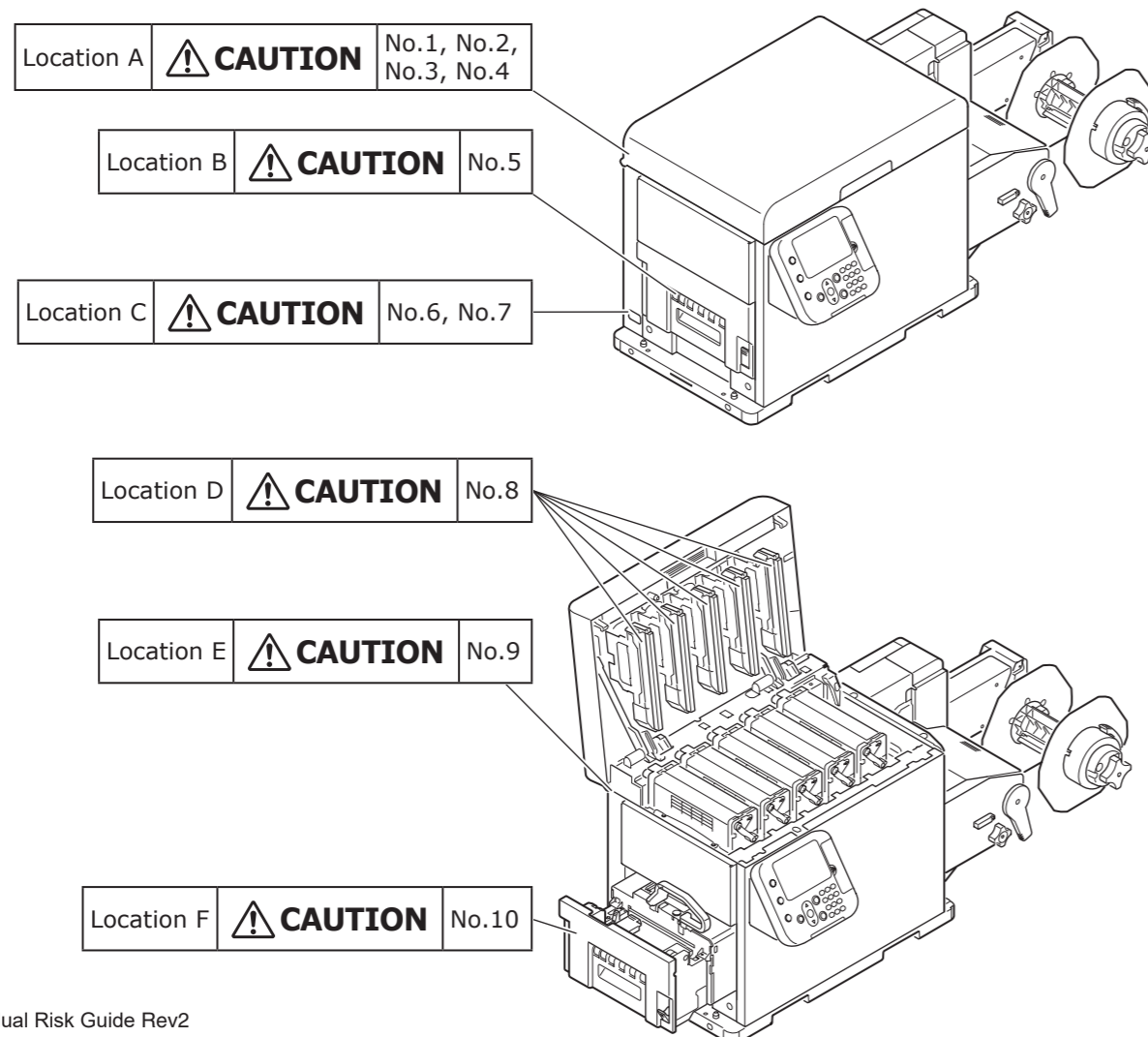
Cautions Related to Safety

⚠ WARNING Mishandling due to ignoring this symbol may cause death or serious injury.

⚠ CAUTION Mishandling due to ignoring this symbol may cause personal injury.

Residual Risk Map

The numbers shown in the diagrams indicate the numbers for the residual risk associated with the relevant locations, as described in the "List of Risks" for the product. For details about the various risks, refer to the "List of Risks".



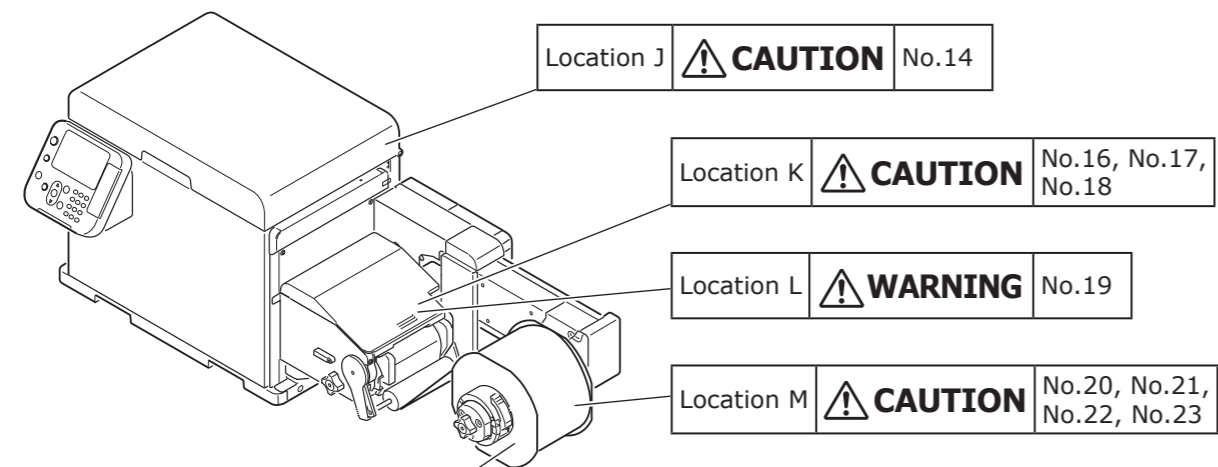
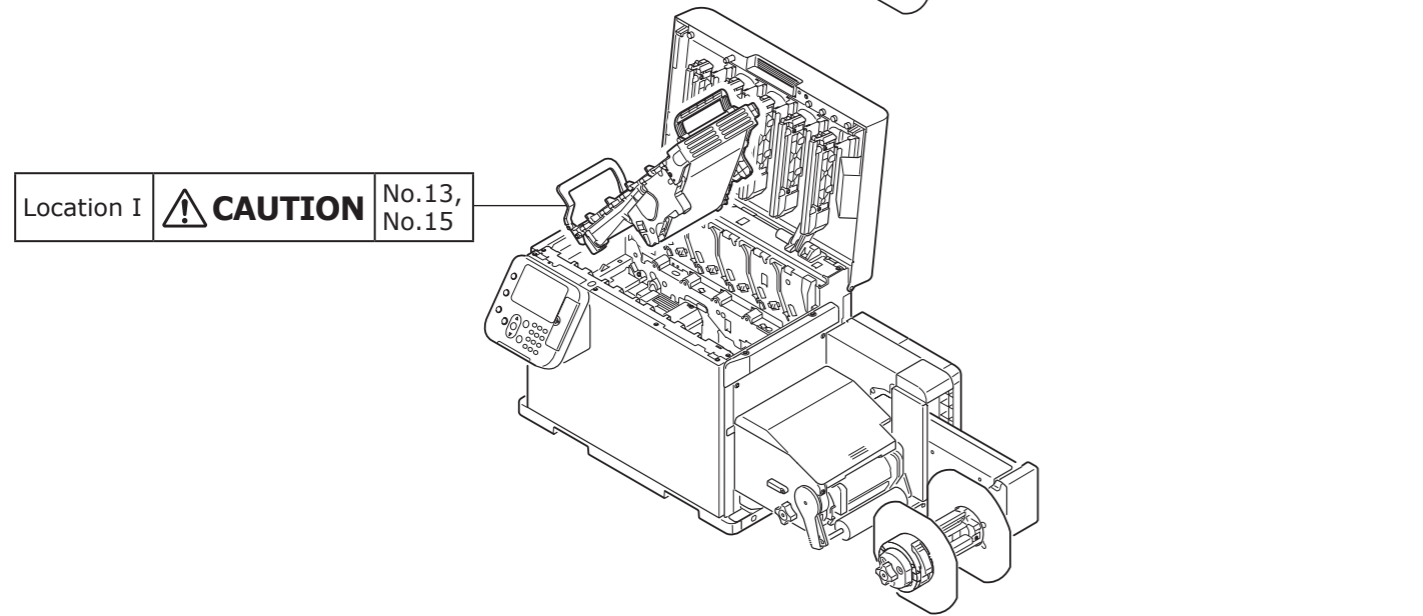
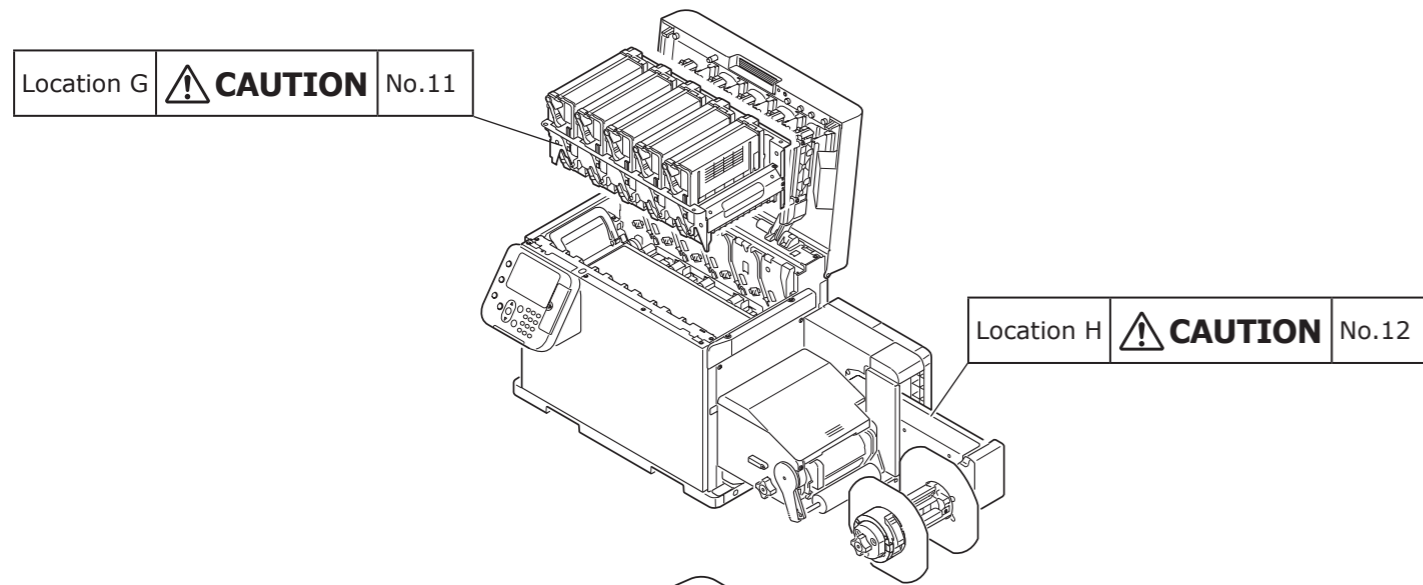
2. List of Residual Risks That Require Protective Measures by Machine Users and Machine Installers

List of Risks

The letters shown under "Locations on machine" indicate the locations on the machine as indicated by the letters on the "Residual Risk Map" for the product. Refer to the "Residual Risk Map" for the specific location on the machine.

No	Job	Qualifications and training needed for job	Location on machine	Extent of hazard	Description of hazard	Protective measures implemented by machine installer and user	Referenced manual*1
1	Installation/transportation	Carefully read Installation Guide	A	CAUTION	Because the machine (the printer alone) weighs 43 kg, there is a risk of injury while lifting it.	Two or more people are required to lift the machine.	S
2	Installation/transportation	Carefully read Installation Guide	A	CAUTION	Because the machine (the printer alone) weighs 43 kg, there is a risk of injury if it falls while workers are holding the OP-Assy.	Workers must hold the machine at the specified handholds while working.	S
3	Installation/transportation	Carefully read Installation Guide	A	CAUTION	Because the machine (the printer and unwinder) weighs up to 62 kg, there is a risk of injury if the machine is installed on a table that is unstable or unable to bear the load, such that the table overturns or breaks.	The machine must be installed so that the table on which it is installed is stable. The machine must be installed on a table capable of bearing the weight of the machine.	S
4	Installation/transportation	Carefully read Installation Guide	A	CAUTION	There is a risk of injury if the machine (printer and unwinder) extend past the edge of the table, such that it could catch on a person and fall off.	The machine must be installed on a table that is large enough to leave empty space around the machine.	S
5	Usage/maintenance	Carefully read Maintenance Guide and User's Guide	B	CAUTION	There is a risk of injury from fingers or hair being twisted into the rollers on the fuser and exit unit.	Workers must not touch the output roller area on the fuser and exit unit with their hands while the printer is operating. Workers must not put their faces close to or look into the output roller area on the fuser and exit unit while the printer is operating.	U
6	Electrical connections	Carefully read all manuals	C	CAUTION	There is a risk of electric shock from the electric power cord.	Workers must not touch the power plug or power cord if their hands are wet.	S, U
7	Electrical connections	Carefully read all manuals	C	CAUTION	There is a risk of electric shock from the electric power connectors.	Workers must not insert any metal objects, such as a screwdriver, into the power connectors.	S, U
8	Usage/maintenance	Carefully read Maintenance Guide and User's Guide	D	CAUTION	Workers could pinch their hands if they grip the LED head while closing the top cover.	Workers must press on the top of the top cover.	U
9	Usage/maintenance	Carefully read Maintenance Guide and User's Guide	E	CAUTION	Workers could pinch their fingers or hands in the top cover or the top cover's support while closing the top cover.	Workers must press on the top of the top cover.	U
10	Usage/maintenance	Carefully read Maintenance Guide and User's Guide	F	CAUTION	If the fuser and exit unit is pulled out using only one hand, you can lose balance and drop the unit resulting in injuries.	Hold the handle on the outside of the fuser and exit unit and the handle of the fuser unit, and always lift while holding these parts with both hands.	U

*1: S = Installation Guide, U = Various manuals



Location N **CAUTION** No.24

Residual risks not at specific locations on the machine

Location O **WARNING** No.25, No.26

Residual risks not at specific locations on the machine

Location P **CAUTION** No.27, No.28, No.29, No.30, No.31, No.32

No	Job	Qualifications and training needed for job	Location on machine	Extent of hazard	Description of hazard	Protective measures implemented by machine installer and user	Referenced manual*1
11	Usage/maintenance	Carefully read Maintenance Guide and User's Guide	G	CAUTION	There is a risk of injury if the print cartridge set falls while it is being pulled out.	Workers must grip the handles on the toner cartridge basket for the print cartridge set when lifting it.	U
12	Installation/transportation	Carefully read Installation Guide	H	CAUTION	There is a risk of injury if the unwinder falls while it is being lifted.	Workers must hold the machine at the specified handholds while working.	S
13	Usage/maintenance	Carefully read Maintenance Guide and User's Guide	I	CAUTION	There is a risk of injury if the belt unit falls while it is being removed.	Workers must grasp the handle on the belt unit when removing the belt unit.	U
14	Installation/transportation	Carefully read Installation Guide	J	CAUTION	There is a risk that fingers or hands could be pinched between the unwinder and the printer while installing the unwinder.	Workers must hold the machine at the specified handholds while working.	S
15	Usage/maintenance	Carefully read Maintenance Guide and User's Guide.	I	CAUTION	There is a risk that hands or fingers could be pinched between the handle and the machine while removing or installing a belt unit.	Confirm the procedures for removing and installing the belt unit.	U
16	Usage/maintenance	Carefully read Maintenance Guide and User's Guide.	K	CAUTION	There is a risk that hands could be pinched in the cover of the unwinder.	Workers must press on the cover of the unwinder.	U
17	Usage/maintenance	Carefully read Maintenance Guide and User's Guide	K	CAUTION	There is a risk that hands or fingers could be pinched while removing the cutter unit of the unwinder.	Workers must confirm the procedure for installing and removing the cutter unit.	U
18	Usage/maintenance	Carefully read Maintenance Guide and User's Guide	K	CAUTION	There is a risk of injury if the cutter unit of the unwinder falls while it is being removed.	Workers must confirm the procedure for installing and removing the cutter unit.	U
19	Maintenance	Carefully read Maintenance Guide and User's Guide	L	WARNING	There is a risk that hands may touch the cutter blade and be cut while dismantling the cutter unit of the unwinder and washing the cutter blade.	Confirm the procedure for cleaning before you dismantle the cutter unit and wash the cutter blade.	U
20	Usage	Carefully read Maintenance Guide and User's Guide	M	CAUTION	There is a risk of injury if the roll paper is dropped or overturned.	Workers must wear rubber gloves or similar gloves while installing or removing roll paper. Workers must confirm the storage and installation procedures so they do not drop or overturn the roll paper.	U
21	Usage	Carefully read Maintenance Guide and User's Guide	M	CAUTION	There is a risk that hands could be cut on the edge of roll paper.	Workers must wear rubber gloves or similar gloves while handling roll paper.	U
22	Usage	Carefully read Maintenance Guide and User's Guide	M	CAUTION	There is a risk that hands or fingers could be pinched by the roll paper and the roll paper holder while loading roll paper onto the roll paper holder.	Workers must confirm the procedure for attaching and removing roll paper. Workers must turn the knob on the roll paper holder so it is sufficiently loose when loading roll paper.	U
23	Usage/maintenance	Carefully read Maintenance Guide and User's Guide	M	CAUTION	There is a risk of injury from fingers or hair being twisted into the roll paper or roll paper holder while the machine is operating.	Workers must not touch the shaft of the roll paper holder while the printer is operating. Workers must not put their faces close to or look into the shaft of the roll paper holder while the printer is operating.	U
24	Usage	Carefully read Maintenance Guide and User's Guide	N	CAUTION	There is a risk of injury if the roll paper falls off because the roll paper could not be secured to the roll paper holder.	Workers must confirm the procedure for attaching and removing roll paper. Workers must turn the knob on the roll paper holder so it is sufficiently loose when loading roll paper.	U
25	Maintenance	Maintenance technology	O	WARNING	There is a risk of injury, accident, or reduced performance of the product if it is dismantled or assembled by a person who does not have the tools or maintenance technology.	Workers must request repairs from their dealer or the sales office listed in the User's Manual.	U
26	Usage	Carefully read Maintenance Guide and User's Guide	O	WARNING	There is a risk of electric shock when printing on metal foil or electrically conductive paper if the paper is touched while printing.	Workers must not use metal foil or electrically conductive paper.	U
27	Usage	Carefully read Maintenance Guide and User's Guide	P	CAUTION	There is a risk of injury by stepping on the cores of roll paper or on rolls of paper that are left on the floor.	Workers must confirm the storage and installation procedures so they do not drop or overturn the roll paper.	U
28	Installation/transportation	Carefully read Installation Guide	P	CAUTION	There is a risk of injury from the silica gel used in the packing materials.	Workers must be careful when handling the silica gel used in the packing materials.	S
29	Installation/transportation	Carefully read Installation Guide	P	CAUTION	There is a risk of injury from the plastic bags used in the packing materials.	Workers must be careful when handling the plastic bags used in the packing materials.	S
30	Installation/transportation	Carefully read Installation Guide	P	CAUTION	There is a risk of injury to fingers and hands from the cardboard used in the packing material.	Workers must be careful when handling the cardboard used in the packing materials.	S
31	Installation/transportation	Carefully read Installation Guide	P	CAUTION	There is a risk of injury from dropping the printer while removing the plastic bags and cushioning used in the packing materials.	Workers must confirm the procedure for unpacking the machine.	S
32	Usage	Carefully read all manuals	P	CAUTION	Persons can suffer burns or the equipment can fail due to a temperature raise caused by a blocked air vent.	The air vents must not be blocked.	S, U

*1: S = Installation Guide, U = Various manuals